

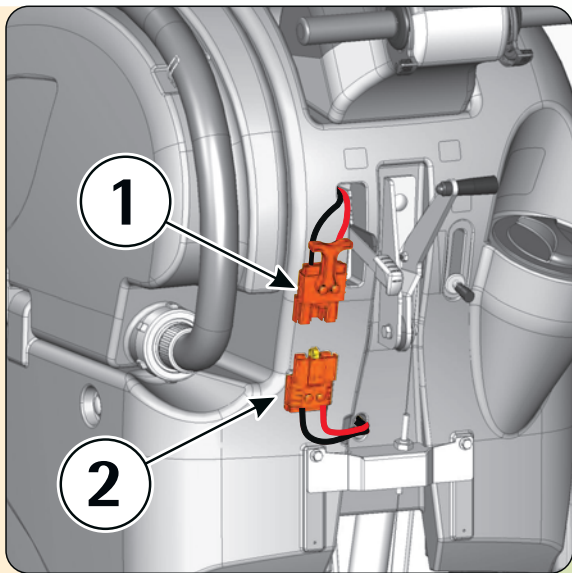
QUICK GUIDE FOR THE CORRECT MAINTENANCE

DAILY

DAILY

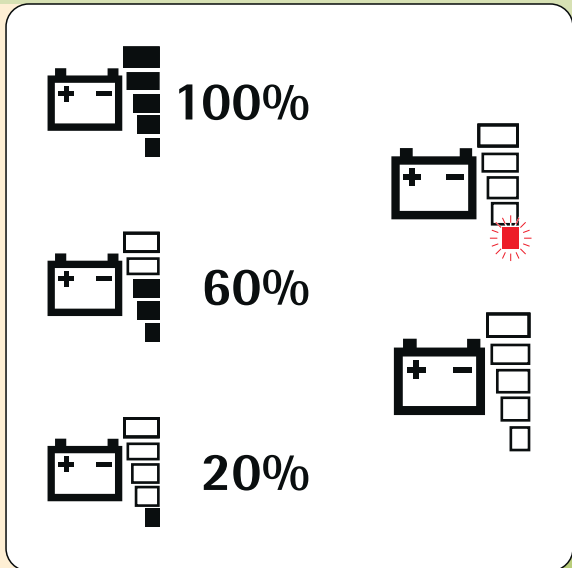
CONNECT THE BATTERIES:

Connect the batteries connector (1) to the machine's connector (2) placed in the rear part of the machine.



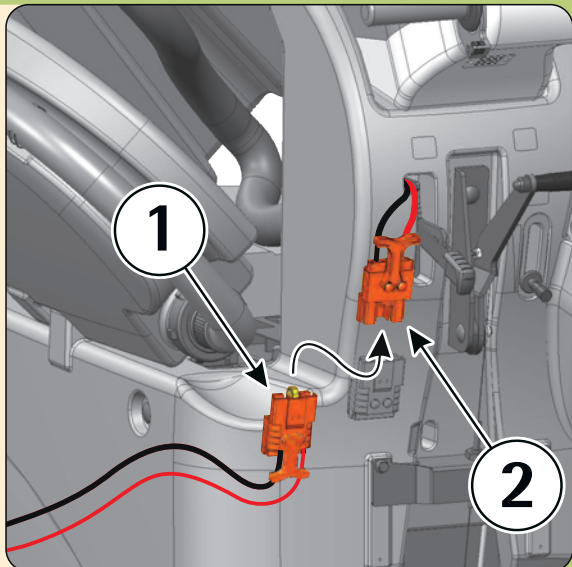
BATTERIES CHARGE LEVEL INDICATOR:

The battery charge level is visualized on the display. When the last segment of charge starts blinking, the battery is almost low and the suction and brushes functions are disabled. When the last segment turns off, the battery is completely low.



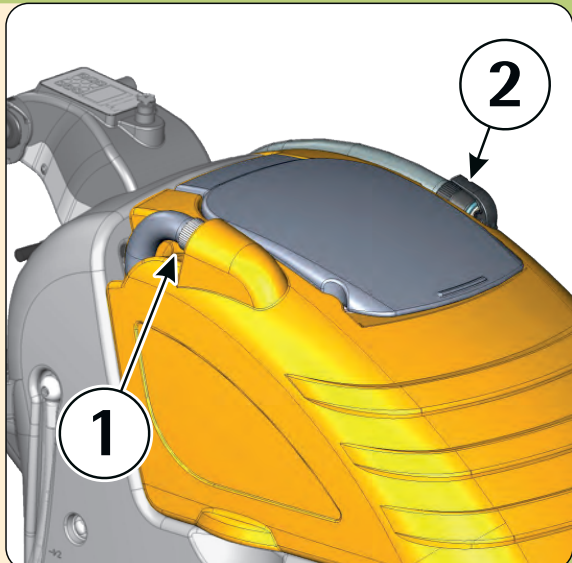
RECHARGE THE BATTERIES:

Plug in the connector (1) of the battery recharger to the batteries connector (2). During the recharging leave the recovery tank open. Maintain the connection with the battery recharger until the indication of the end of charge is not visualized on the charger.



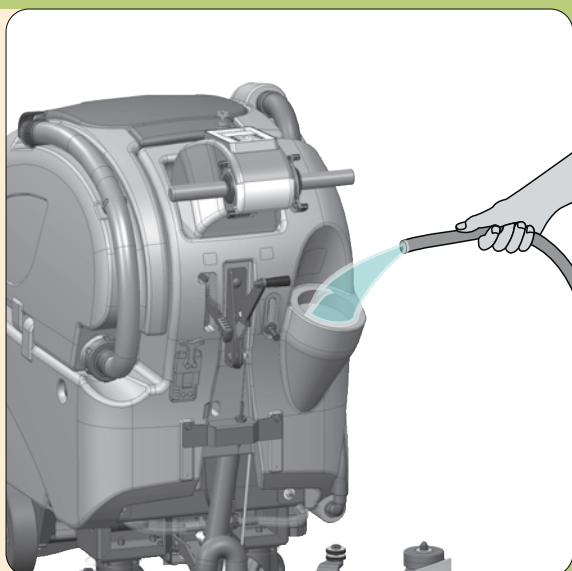
RECOVERY TANK:

Verify that the squeegee hose coupling (1) is correctly inserted into its seat and that the exhaust hose plug (2) is well closed.



FILL THE DETERGENT SOLUTION TANK:

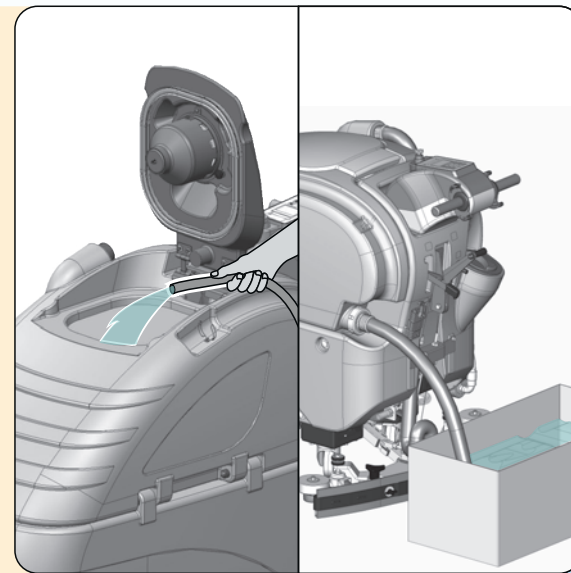
Open the screw plug and fill with clean water. Add the detergent liquid in the percentage recommended. When the machine is equipped with the 3S-System, please read the user manual for functioning.



AFTER THE USE

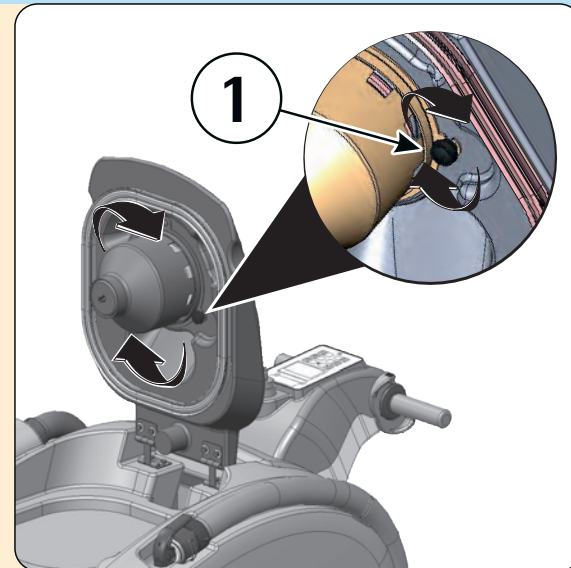
EMPTY AND CLEAN THE RECOVERY TANK:

Open the lever plug on the exhaust hose and empty the dirty water into appropriate containers.



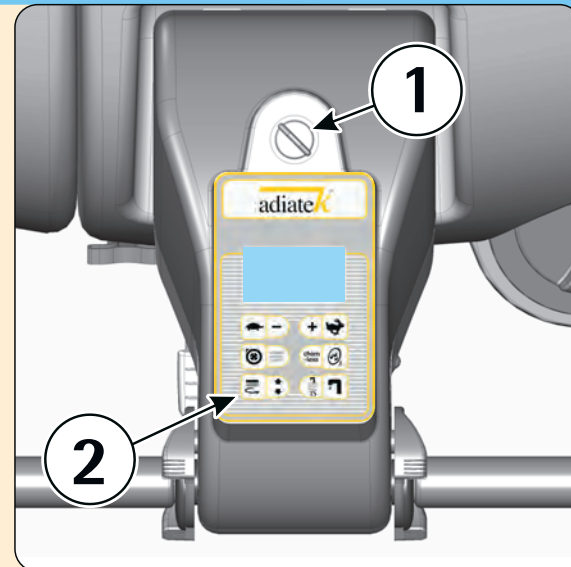
CLEAN THE SUCTION FILTER:

Take off the filter with the float and its protection by unscrewing the knob (1). Clean all parts with a water jet, reassemble everything once more. Never use the machine without filter.



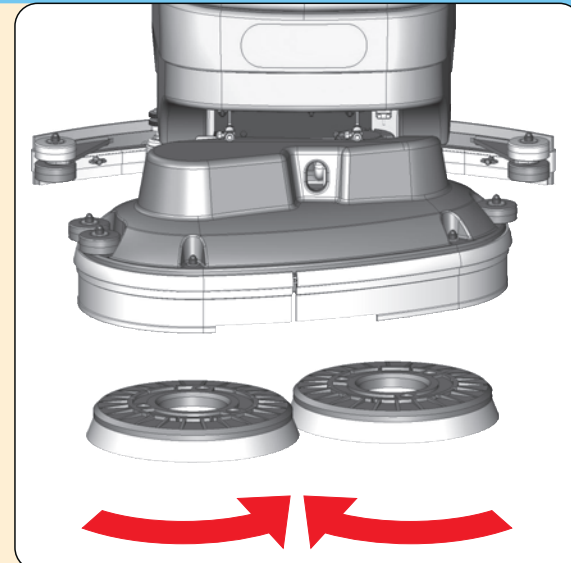
AUTOMATIC DISASSEMBLY OF THE BRUSHES

Turn the key (1) clockwise to switch on the machine. Press the push button (2) to lift the brushes. Keep pressed for some time the push button (2).



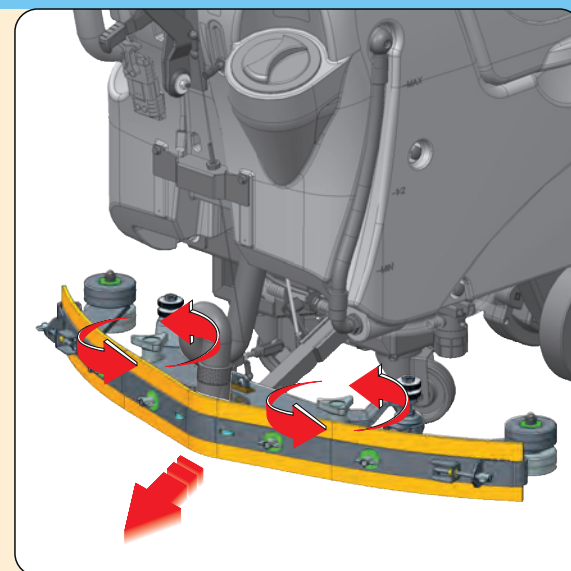
REMOVE THE BRUSHES MANUALLY:

Rotate the brushes as shown until they are released. Clean them with a water jet and reassemble them again. It may be convenient to remove the splash guard rubber in order to facilitate the operation.



CLEAN THE SQUEEGEE:

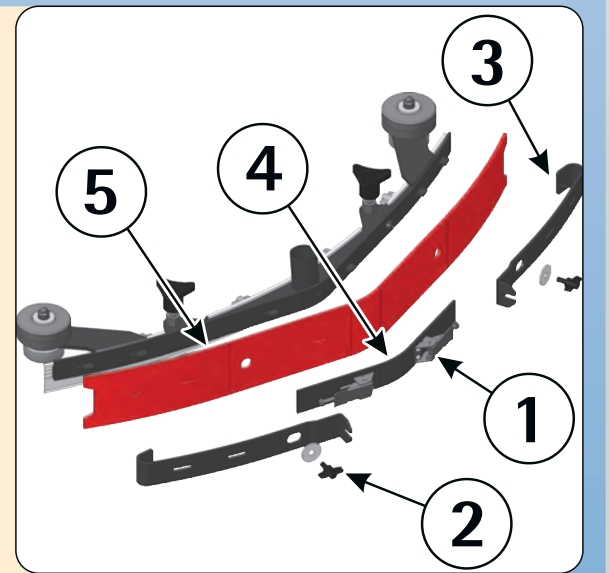
To clean the squeegee it is necessary to: Remove the squeegee hose. Loosen the knobs and take off the squeegee. Carefully clean the internal part of the squeegee and the rubbers.



WEEKLY

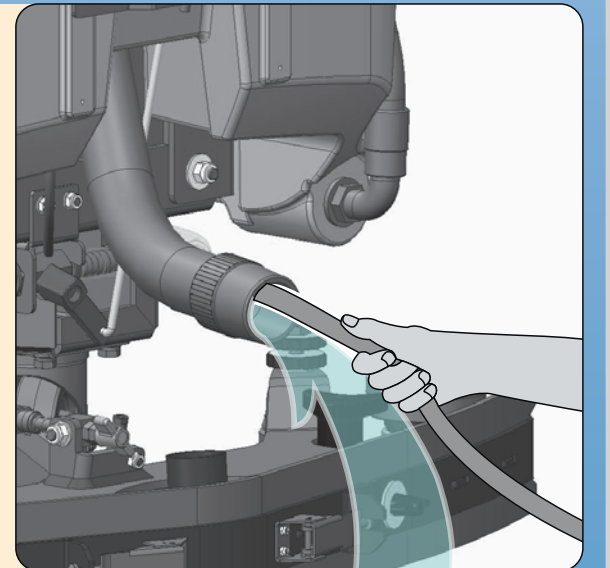
CHECK THE REAR SQUEEGEE RUBBER:

Check the squeegee rubber wear and eventually turn or replace it. Release the hooks (1). Unscrew the wing nuts (2) to take off the terminals (3) and the rubber holder blade (4). Take off the rubber (5) to turn it or to replace it.



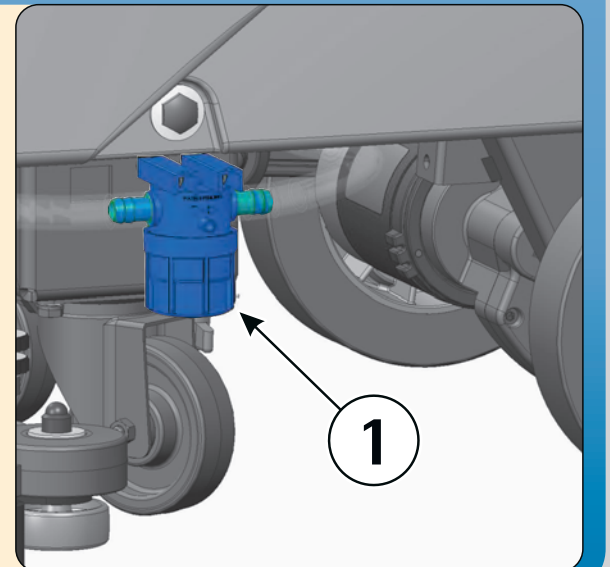
CLEAN THE SQUEEGEE HOSE:

Take off the hose from the squeegee coupling and wash the inside of the hose with a water jet.



CLEAN THE SOLUTION TANK AND THE OUTER FILTER:

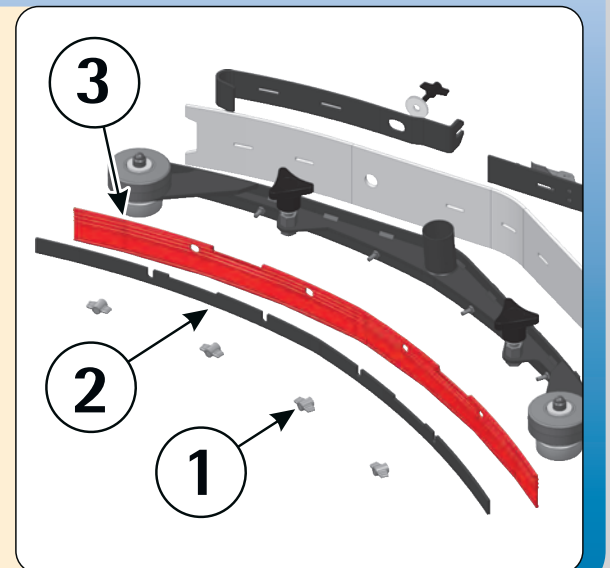
Bring the machine to an appropriate place for the detergent solution draining. Unscrew the cap of the exhaust filter (1), then open the solution valve to empty the tank. Rinse the tank and the filter with a water jet.



EVERY TWO MONTHS

CHECK THE FRONT SQUEEGEE RUBBER:

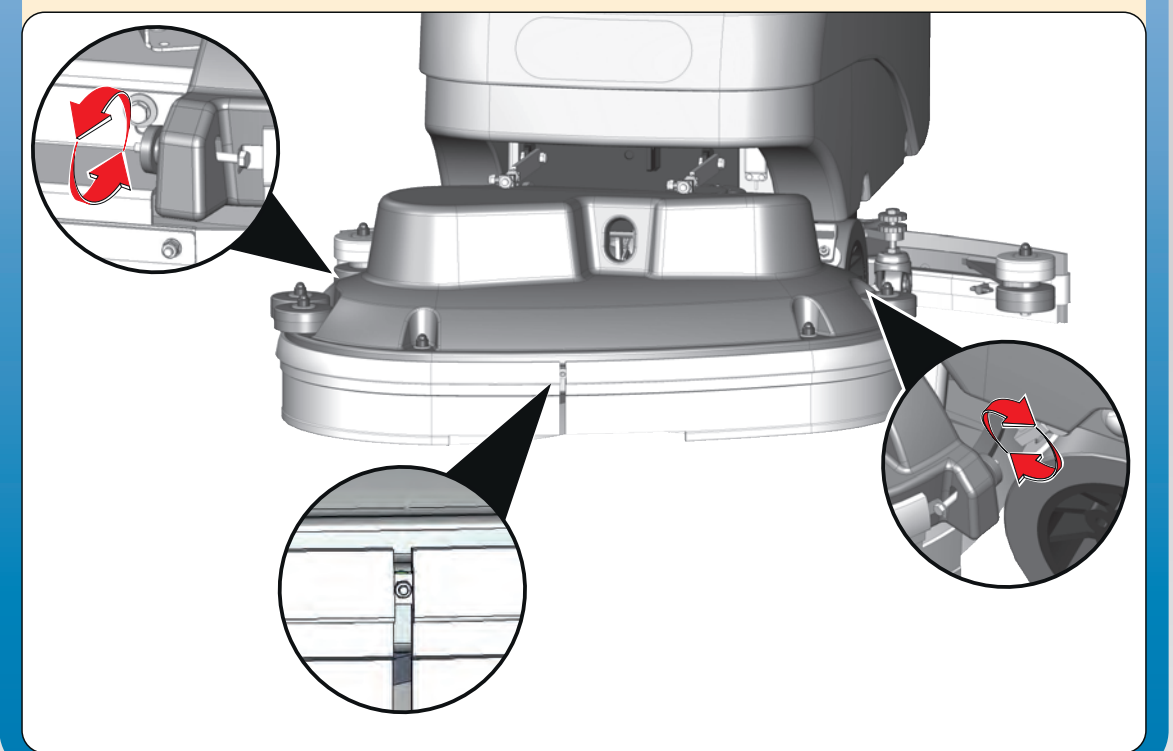
Check the squeegee rubber wear and eventually replace it. Take off the rear part of the squeegee. Unscrew the wing nuts (1) and take off the holder blade (2). Replace the front rubber (3).



EVERY SIX MONTHS

REPLACE THE SPLASH GUARD:

Unscrew the knobs in the rear part of the brushes base group from the extremity of the metal strips. Unscrew the nut on the front part of the brushes base group and take off the metal strips. Replace the splash guard rubbers. With the brush assembled, the splash guard must slightly touch the floor.



SAFETY RULES:



- The machine must be used exclusively by authorized staff that has been instructed for its use.
- Leaving the machine in parking position, take off the battery connector or the key and act upon the parking brake (if present).
- During the operation of the machine, pay attention to other people and especially to the children.
- In case of danger act immediately upon the emergency brake.
- Do not use the machine in explosive atmosphere.
- Do not use the machine on surfaces covered with inflammable liquids or dusts (for example hydrocarbons, ashes or soot).
- In case of fire use a powder based fire-extinguisher.
- Adapt the working speed to the adhesion conditions: in particular, slow down before facing narrow curves.
- Do not use the machine on areas having a higher gradient than the one stated on the number plate.
- During maintenance operation use suitable individual protection devices (gloves, glasses, shoes).
- Signal the areas of moist floors.

BATTERIES:



- At any intervention on the batteries, use suitable acid-proof gloves and glasses.
- Do not smoke near the batteries and do not approach them with free flames.
- Check that a fire-extinguisher is available on site.
- Be very careful in case of leakages or liquid outlets because corrosive.
- Do not place any metallic tools onto the batteries. Risk of short circuit!



BEFORE USING THE MACHINE, READ CAREFULLY THE USE AND MAINTENANCE MANUAL



Authorized dealer:

