

QUICK GUIDE FOR THE CORRECT MAINTENANCE OF THE WALK-BEHIND SCRUBBING MACHINE

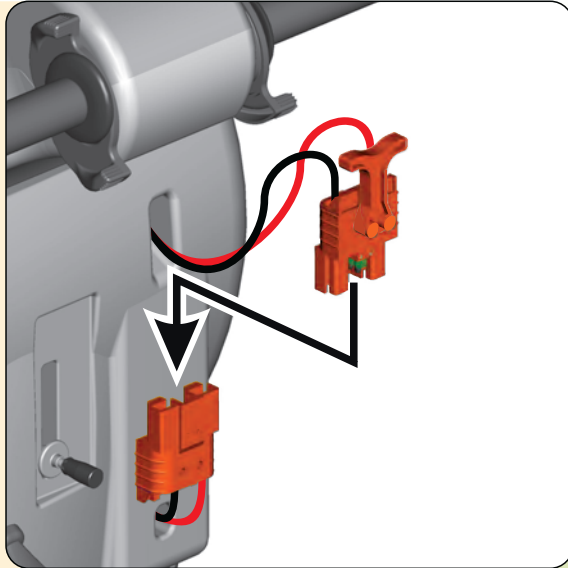
DAILY

BEFORE THE USE

CONNECT THE BATTERIES:

Connect the machines' connector to the batteries' connector.

To start any function of the machine, it is necessary to rotate clockwise the key switch (only on machines equipped with it).

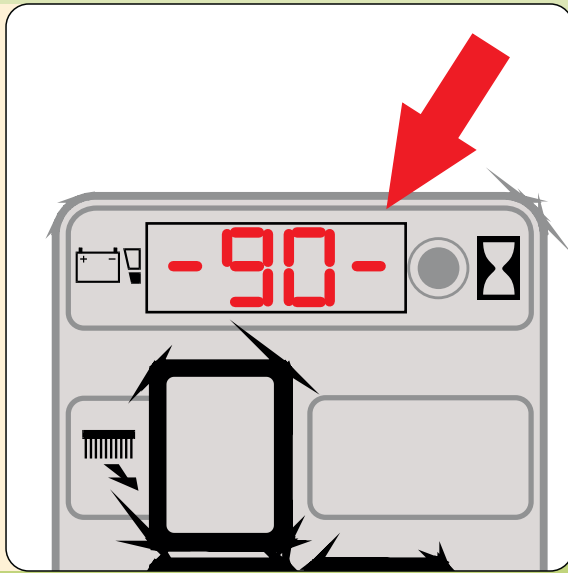


CHECK BATTERY CHARGE LEVEL

When switching on, on the display appears:

- software version.
- setting of the check card (gel or lead/acid) and voltage.
- indication of the battery charge:

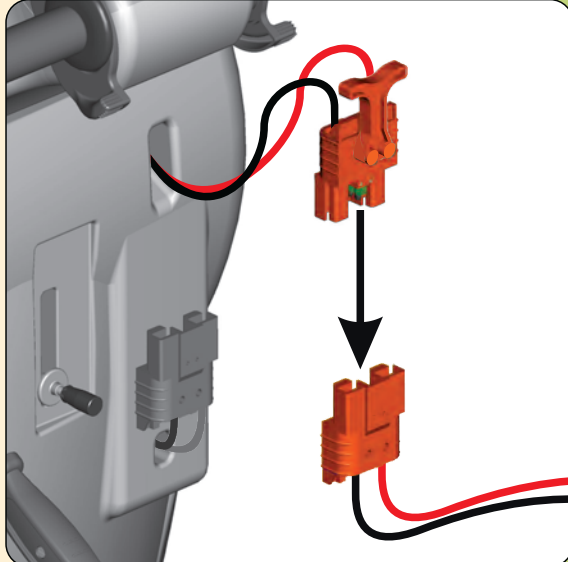
20% = batteries nearly discharged.
10% = shutdown.



CHARGE THE BATTERIES:

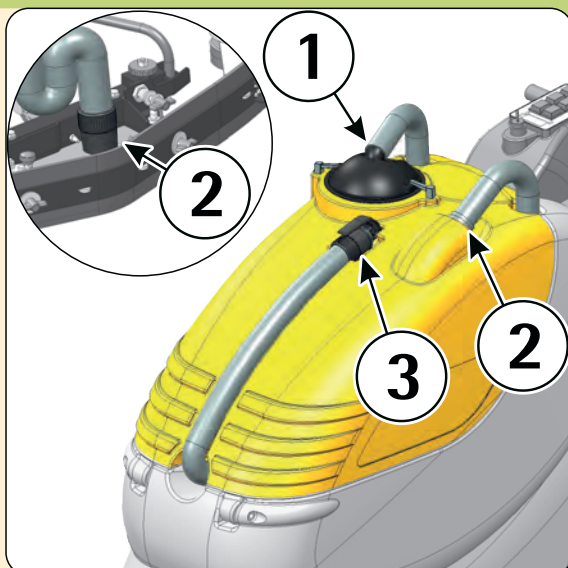
Connect the batteries' connector to the battery charger connector.

USE A SUITABLE BATTERY CHARGER. AVOID THE COMPLETE DISCHARGE OF THE BATTERIES. PROVIDE FOR THE RECHARGING WHEN THE BATTERIES DISCHARGE SIGNAL APPEARS.



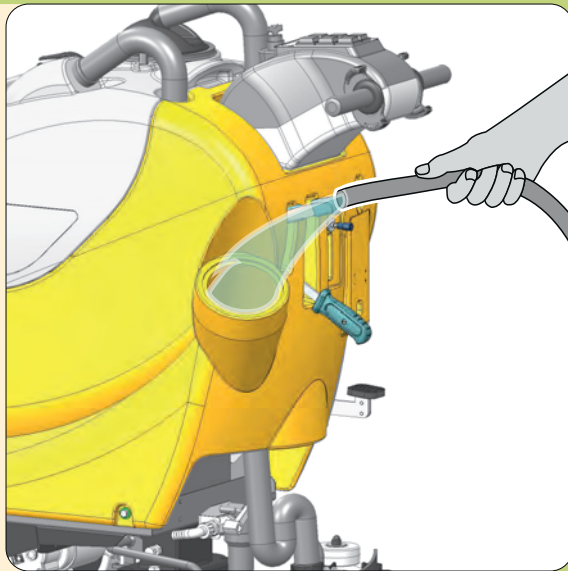
HECK THE RECOVERY TANK:

Check the correct closure of the suction filter cap and verify that, the squeegee hose is correctly inserted on the tank and on the squeegee. Check the correct closure of the exhaust plug.



FILL THE DETERGENT SOLUTION TANK:

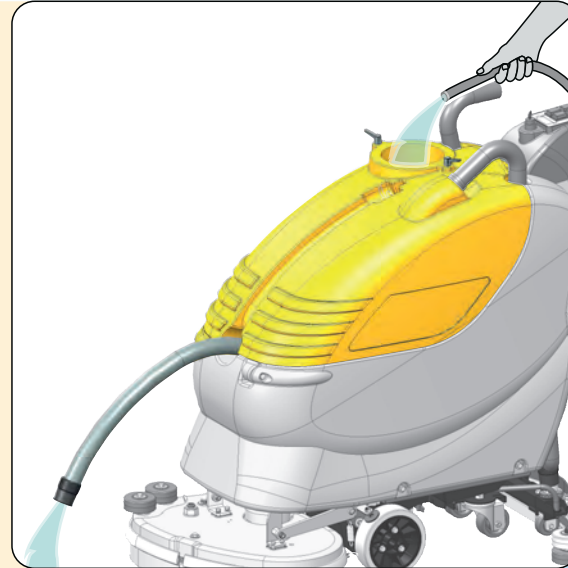
Open the screw plug and fill with clean water. Add the detergent liquid in the percentage recommended. When the machine is equipped with the 3S-System, please read the user manual for the functioning.



AFTER THE USE

EMPTYING AND CLEANING OF THE RECOVERY TANK:

Open the lever plug on the exhaust hose and empty the dirty water into appropriate containers. Take off the filter, the protection and rinse the tank with a water jet, especially near the draining outlet.



SUCTION FILTER CLEANING:

Take off the filter with the float and its protection. Clean all parts with a water jet, reassemble everything once more. Never use the machine without the filter.



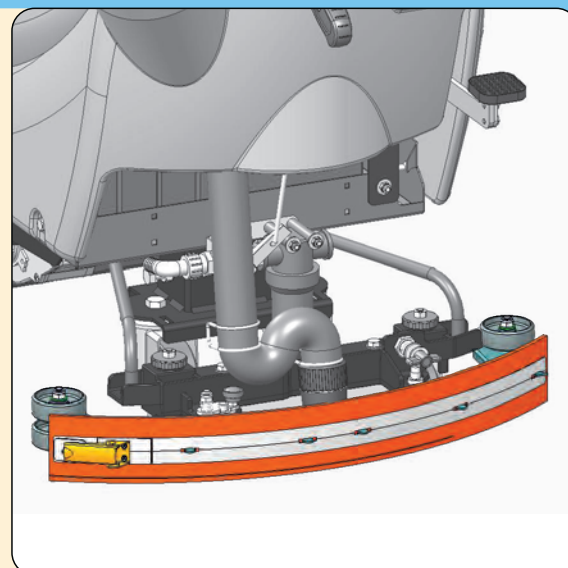
REMOVE AND CLEAN THE BRUSHES:

Rotate the brushes as shown until they are released. Clean them with a water jet and reassemble them again. It may be convenient to remove the splash guard rubber in order to facilitate the operation.



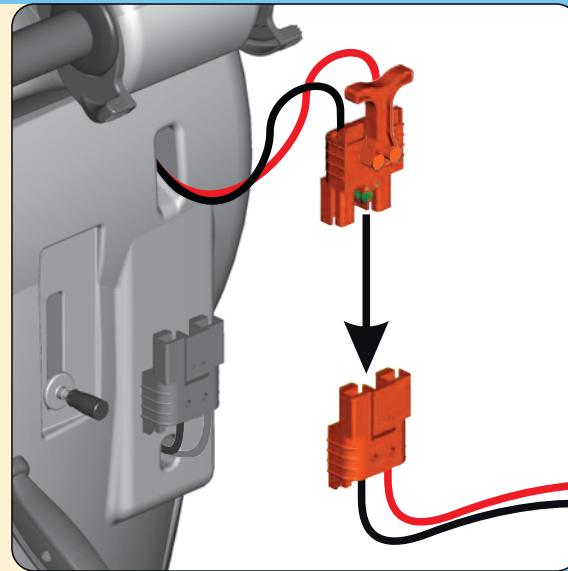
SQUEEGEE CLEANING:

Take off and clean the rubbers and the inner parts of the squeegee being careful to remove the dirt, especially in the inner part of the coupler.



CHARGE THE BATTERIES:

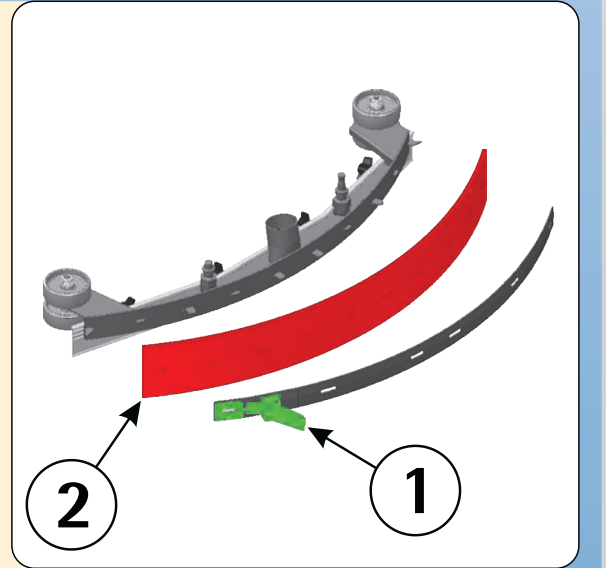
Connect the batteries' connector to the battery charger connector. USE A SUITABLE BATTERY CHARGER. AVOID THE COMPLETE DISCHARGE OF THE BATTERIES. PROVIDE FOR THE RECHARGING WHEN THE BATTERIES DISCHARGE SIGNAL APPEARS.



WEEKLY

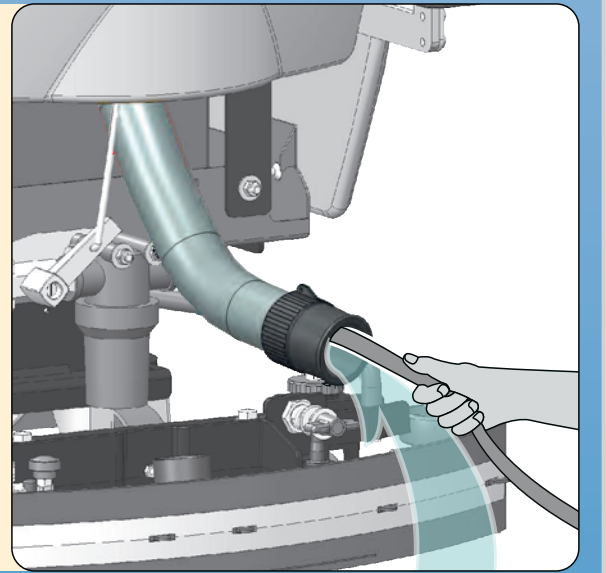
CHECK THE REAR SQUEEGEE RUBBER:

Check the squeegee rubber wear and if necessary, turn or replace it. Uncouple the hook of the rubber holder blade and take off the rubber. When reassembling it, insert the rubber into the appropriate guides.



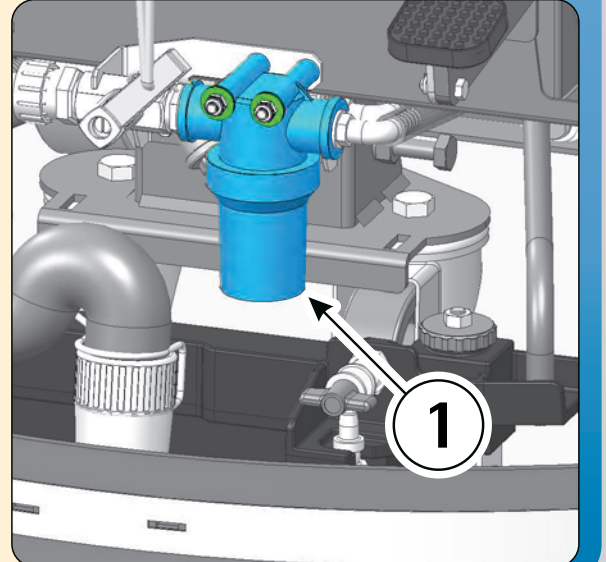
CLEAN THE SQUEEGEE HOSE:

Take off the hose from the squeegee coupling and wash the inside of the hose with a water jet.



CLEAN THE SOLUTION TANK AND THE OUTER FILTER:

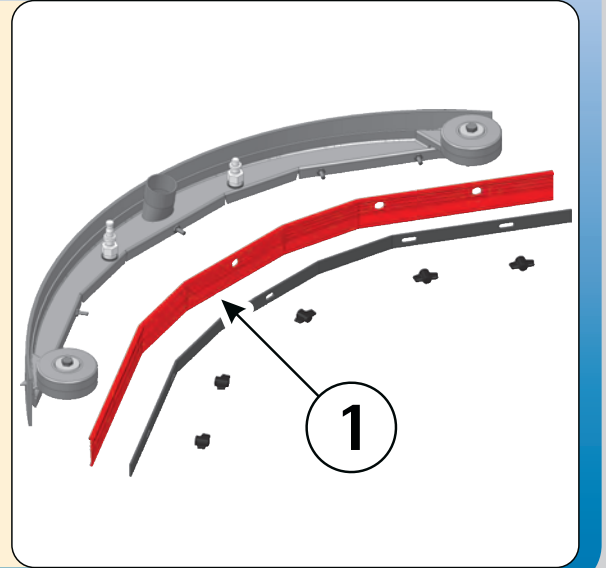
Bring the machine to an appropriate place for tanks draining. Open the cap, unscrew the filter cover and then open the solution valve to empty the tank. Rinse with a water jet the solution tank and the filter.



EVERY TWO MONTHS

CHECK THE FRONT SQUEEGEE RUBBER:

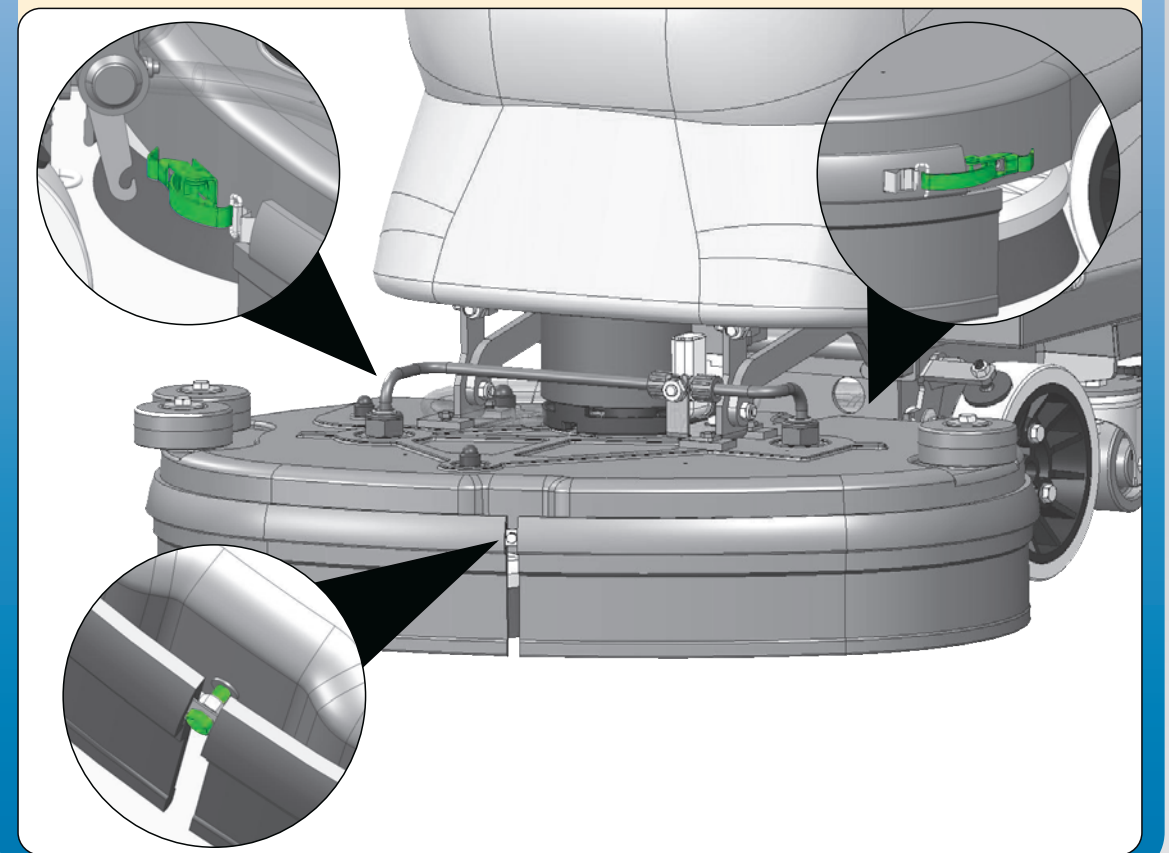
Check the wear of the rubber and replace it if worn out. For the disassembly, unscrew the wing nuts present in the front part (on some models in the upper part) of the squeegee.



EVERY SIX MONTHS

CHECK THE SPLASH GUARDS:

With the brushes in working position, the splash guard must slightly touch the floor. Check the wear of the splash guards and eventually replace them.



SAFETY RULES:



- The machine must be used exclusively by authorized staff that has been instructed for its use.
- Leaving the machine in parking position, take off the battery connector or the key and act upon the parking brake (if present).
- During the operation of the machine, pay attention to other people and especially to the children.
- In case of danger act immediately upon the emergency brake.
- Do not use the machine in explosive atmosphere.
- Do not use the machine on surfaces covered with inflammable liquids or dusts (for example hydrocarbons, ashes or soot).
- In case of fire use a powder based fire-extinguisher.
- Adapt the working speed to the adhesion conditions: in particular, slow down before facing narrow curves.
- Do not use the machine on areas having a higher gradient than the one stated on the number plate.
- During maintenance operation use suitable individual protection devices (gloves, glasses, shoes).
- Signal the areas of moist floors.

BATTERIES:



- At any intervention on the batteries, use suitable acid-proof gloves and glasses.
- Do not smoke near the batteries and do not approach them with free flames.
- Check that a fire-extinguisher is available on site.
- Be very careful in case of leakages or liquid outlets because corrosive.
- Do not place any metallic tools onto the batteries. Risk of short circuit!



BEFORE USING THE MACHINE, READ CAREFULLY THE USE AND MAINTENANCE MANUAL



Rivenditore autorizzato:

